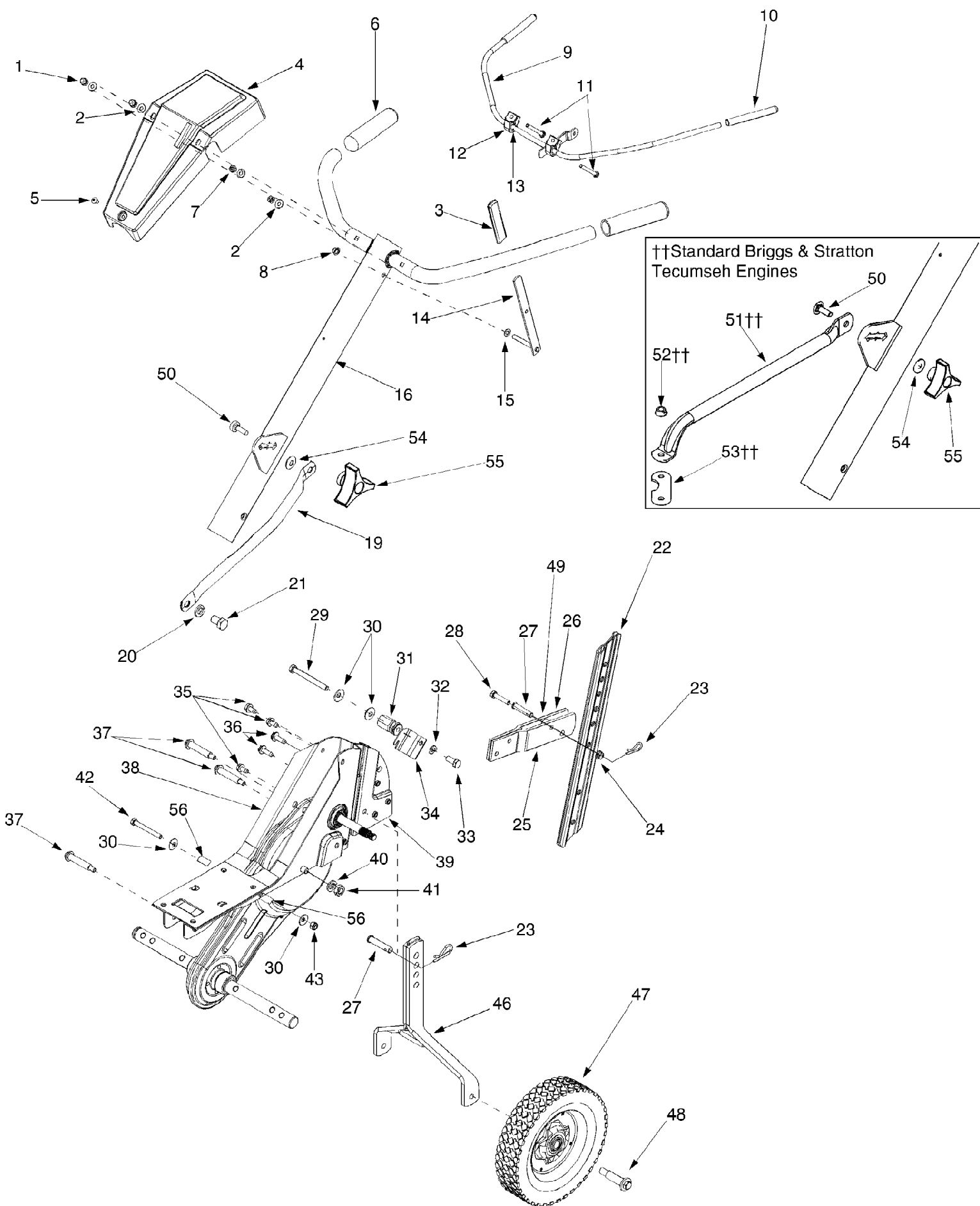


21A-393K290 (2007)  
Chain Case & Tines



21A-393K290 (2007)  
Chain Case & Tines

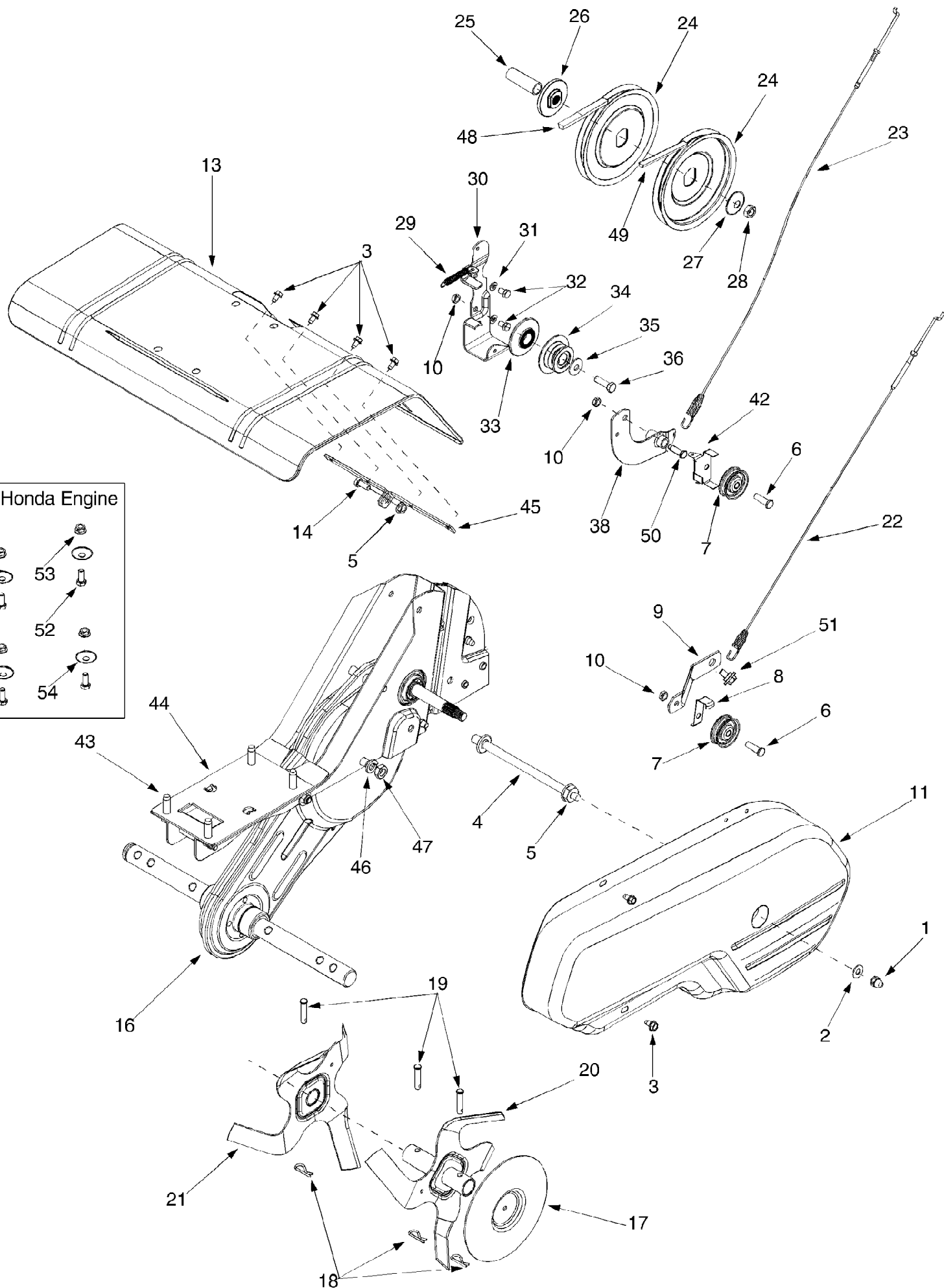
Page 2 of 7

Ref #	Part Number	Qty	S/P/F	Description
1	712-0442	1	S	Acorn Lock Nut 1/4-20
2	736-3020	1	S	Flat Washer.271" I.D. x.630" O.D.
3	720-0270A	1		Reverse Handle Grip
4	731-1600	1		Handle Cover w/o throttle
5	710-0779A	1	/P	Truss Mach. Scr. #10 x 1/2" Lg.
6	720-0274	1	/P	Handle Grip
7	712-3006	1	/P	Hex Nut 1/4-20 Gr.2
8	726-0135	1	/P	Cap Speed Nut
9	686-0083	1	S	Clutch Handle Assembly
10	720-0269	1		Clutch Grip
11	710-0641	1	/P	Hex Bolt 1/4-20 x 2.25" Lg. Gr.5
12	731-1645A	1	S	Clutch Handle Holder
13	736-0140	1	S	Flat Washer.385" I.D. x.62" O.D.
14	686-0014A	1	S	Reverse Handle Ass'y
15	736-0264	1	S	Flat Washer.344" I.D. x.62" O.D.
16	649-04040	1		Handle Assembly Comp.
19	749-1401	1		Handle Brace Briggs & Stratton Intek Engine or Honda Engine
20	736-0921	1	S	Lock Washer 1/2 Briggs & Stratton Intek Engine or Honda Engine
21	710-3194	1		Hex Bolt 1/2-20 Gr. 5 Briggs & Stratton Intek Engine or Honda Engine
22	786-0005	1	S	Depth Bar
23	714-0149B	1	S	Cotter Pin
24	712-04063	1	/P	Hex Flange L-Nut 5/16-18 Thd. Gr.5
25	786-0003	1	S	Tail Piece Bracket (L.H.)
26	786-0004	1	S	Tail Piece Bracket (R.H.)
27	711-0415	1	S	Clevis Pin
28	710-0805	1	/P	Hex Bolt 5/16-18 x 1.5" Lg.
29	710-0189	1	/P	Hex Bolt 5/16-18 x 3" Lg.
30	736-0242	1	/P	Wash. Bell.340" I.D. x.872" O.D.
31	711-1036A	1		Spec. Hex Nut
32	736-0119	1	S	L-Wash. 5/16" I.D.
33	710-3008	1	/P	Hex Bolt 5/16-18 Gr. 5
34	786-0129	1	S	Cable Guide Bracket
35	710-0604A	1	/P	Hex Washer Screw 5/16-18 x.62" Lg.
36	710-0602	1	/P	Hex Wash. Hd. TT-Tap Scr.
37	738-0934	1		Shdl. Bolt 5/16-18
38	786-0138A	1		Frame (R.H.)
39	786-0139A	1	/P	Frame (L.H.)
40	736-0171	1	S	Lock Washer 7/16
41	712-0240	1	S	Jam Nut 7/16-20 Gr. 2
42	710-0176	1	/P	Hex Bolt 5/16-18 x 2.75" Lg.
43	712-0429	1	S	Hex Nylon Nut 5/16-18 Thd.
46	686-0081A	1	S	Wheel Hanger Bracket Assembly
47	734-1781	1	/P	Wheel Ass'y 8" x 1.75"(Plastic)
47	734-1566	1	S	Wheel Ass'y 8" x 1.75" (Steel)
48	738-0929	1		Shoulder Screw.496 I.D. x 1.445 O.D.
49	750-0890	1		Spacer
50	710-1236	1		Carr. Bolt 5/16-18 x 1

21A-393K290 (2007)  
Chain Case & Tines

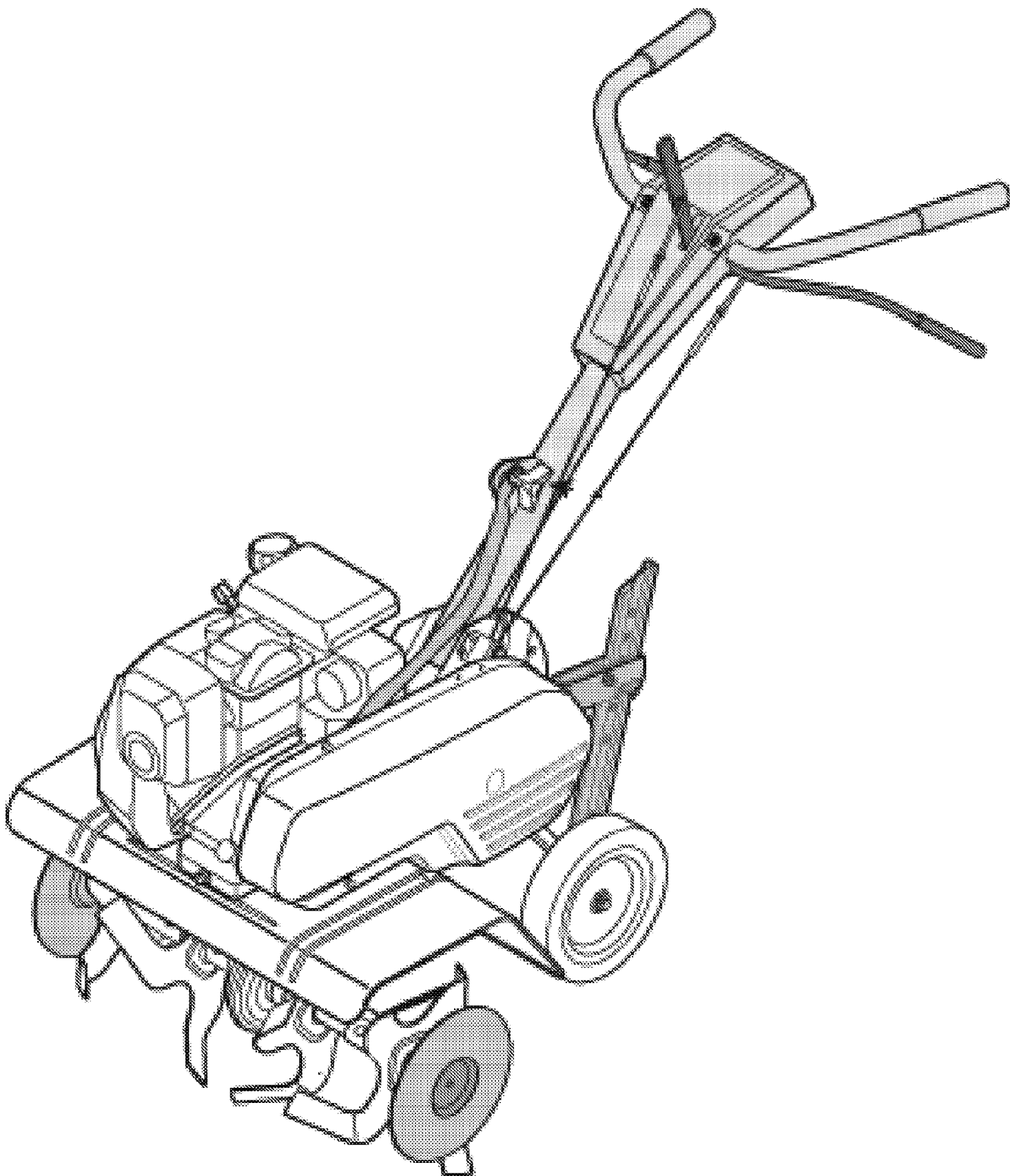
Page 3 of 7

Ref #	Part Number	Qty	S/P/F	Description
51	749-0915A	1		Engine Tube Brace Standard Briggs & Stratton
51	749-1082	1	S	Engine Tube Brace Tecumseh Engine
52	712-04063	1	/P	Hex Flange L-Nut 5/16-18 Thd. Standard Briggs & Stratton and Tec. Engine
53	786-0159	1		Engine Brkt. Standard Briggs & Stratton
55	736-0242	1	/P	Bell. Wash.34" I.D.
52	720-0195	1		Hand Knob
53	750-0470	1		Spacer



Ref #	Part Number	Qty	S/P/F	Description
1	712-0392	1	/P	Hex L-Stop nut 1/4-28
2	736-3020	1	S	Flat Wash.266" I.D. x.625" O.D.
3	710-0599	1	/P	Hex Washer TT-Tap Scr. 1/4-20 x.5"
4	711-0920	1		Belt Cover Bolt
5	712-04063	1	/P	Hex Flange Top L-Nut 5/16-18
6	710-0723	1	/P	Hex Hd. Scr. 3/8-16 x 1.25" Lg.
7	756-0313	1	/P	Flat Idler Pulley 2.12" O.D.
8	786-0149	1		Idler Belt Keeper
9	786-0144	1	S	Idler Bracket
10	712-0266	1	S	Hex Cent. Jam Nut 3/8-16 Thd.
11	786-0057	1	/P	Belt Cover
13	786-0043A	1	/P	Tine Shield
14	710-3008	1	/P	Hex Hd. Cap Scr. 5/16-18 x.75" Lg
16	686-0091	1	S	Chain Case Assembly Complete
17	686-0106	1	S	Outer Disc Plate Assembly
18	714-0149B	1	S	Internal Cotter Pin
19	711-0415	1	S	Clevis Pin
20	642-0023	1	S	Outer Tine Assembly L.H.
20	642-0024	1	S	Outer Tine Assembly R.H.
21	642-0003	1	S	Inner Tine Assembly L.H.
21	642-0002	1	S	Inner Tine Assembly R.H.
22	746-0918	1	S	Forward Clutch Cable
23	746-0953	1		Reverse Clutch Cable
24	756-0585	1		FI-Pulley 6" Dia.
25	750-0892	1	S	Spacer.64" Dia. x 2.4" Lg.
26	748-0350	1	S	Pulley Mounting Adapter
27	736-0112	1	/P	Bell-Wash.525" I.D. x 1.5" O.D.
28	712-3029	1	/P	Hex Jam Nut 1/2-20 Thd.
29	732-0697	1		Return Spring
30	786-0040B	1	S	Reverse Bracket
31	736-0119	1	S	Lock Washer 5/16
32	710-0237	1	/P	Hex Bolt 5/16-24 x.625"
33	756-0971	1		Engine Inner Half Pulley
34	756-0600	1		Reverse Engine Pulley
35	736-0452	1	S	Bell Washer.396" I.D. x 1/14" O.D.
36	710-1093	1		Hex Bolt 3/8-24 x 1.00"
38	686-0013	1		Reverse Arm Assembly
42	786-0041	1	S	Reverse Belt Keeper
43	710-0502A	1	/P	Hex L-Wash. TT-Tap 3/8-16 x 1.25"
44	786-0145A	1	/P	Engine Plate
45	786-0053	1	S	Tine Shield Bracket
46	736-0171	1	S	L-Wash. 7/16" I.D.
47	712-0240	1	S	Hex Nut 7/16-20 Thd.
48	754-0428	1	S	V-Belt (Forward) 1/2 x 41.9"
49	754-0429	1	S	V-Belt (Reverse) 3/8 x 45.68"
50	738-0102	1	S	Shld. Screw.498 x 1.445
51	738-0930	1	/P	Shld. Screw.560 x.165
52	710-0805	1	/P	Screw 5/16-18 x 1.50 Honda Engine
53	712-3010	1	S	Hex Nut 5/16-18 Honda Engine
54	736-0242	1	/P	Bell Washer Honda Engine

21A-393K290 (2007)  
Quick Reference 393K



Ref #	Part Number	Qty	S/P/F	Description
	N/A	1		Spark Plug
	N/A	1		Pre Filter
	N/A	1		Air Filter
	N/A	1		Fuel Filter
	754-0428	1	S	Drive Belt (FWD)
	754-0429	1	S	Drive Belt (REV)
	756-0313	1	/P	Idler Pulley
	746-0918	1	S	Clutch Cable (FWD)
	746-0953	1		Clutch Cable (REV)
	642-0023	1	S	Tines Outer (LH)
	642-0024	1	S	Tines Outer (RH)
	642-0003	1	S	Tines Inner (LH)
	642-0002	1	S	Tines Inner (RH)
	N/A	1		Rim
	N/A	1		Tire
	734-1268	1	/P	Wheel Assembly
	720-0274	1	/P	Grip
	N/A	1		Shift Control Knob
	720-0195	1		Handle Knob